

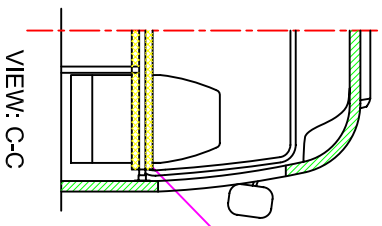
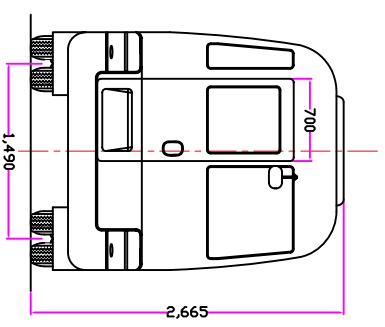
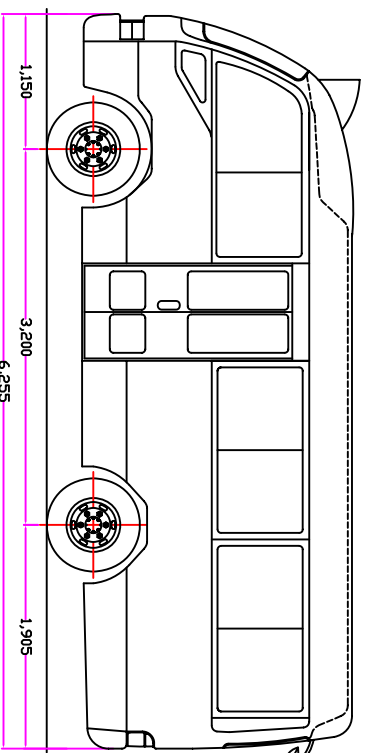
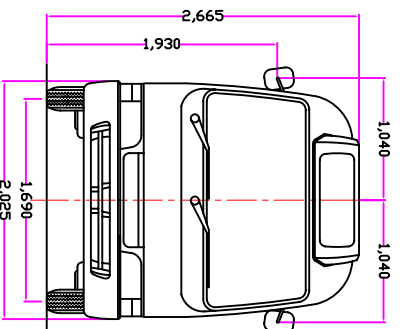
**Model: Toyota Coaster BZB40R-ZCMSC**

**Approved Design, Reinforcement Parts and Installation Details**

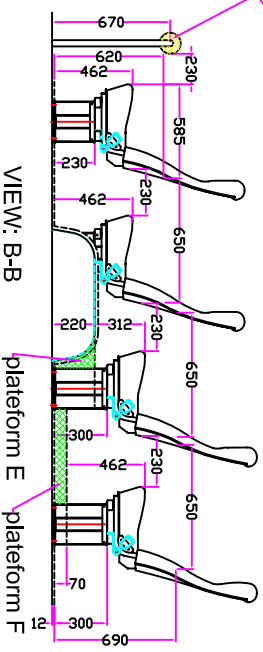
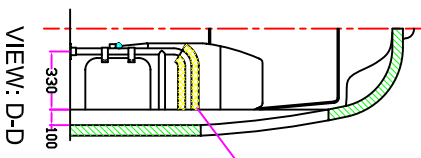
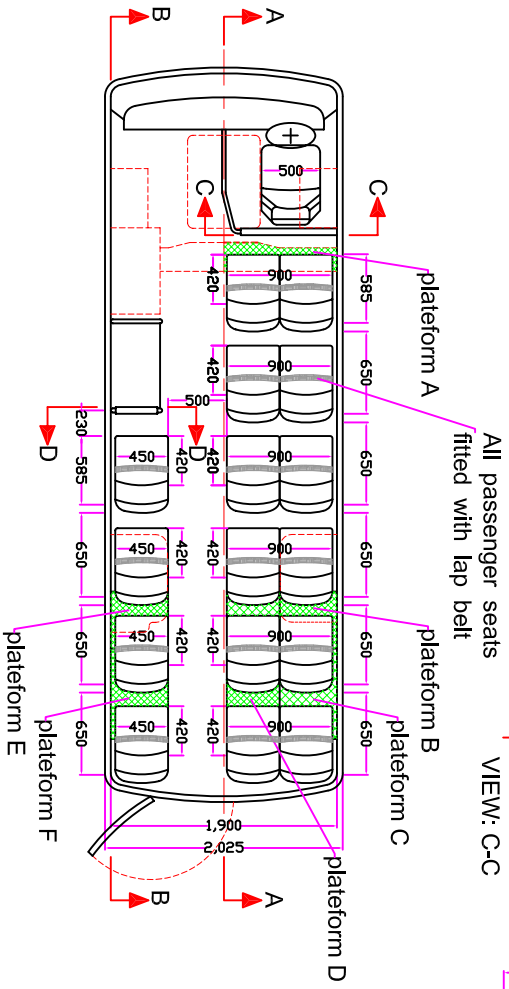
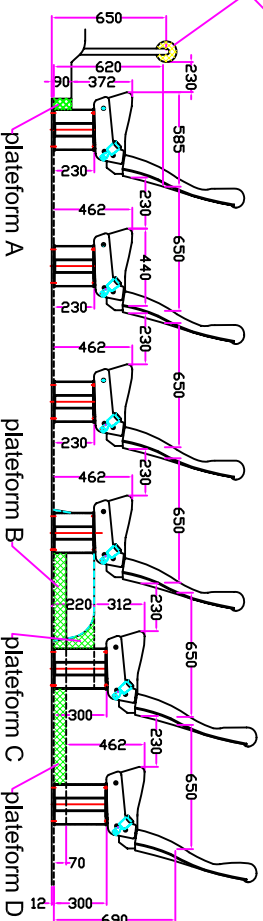
Content

1. Approved Seat Plan
2. Reinforcement Details
3. Reinforced Structure Assembly Drawing
4. Vogel seat leg modifications
5. List of Reinforcement Parts

Seat plan for  
Public light bus  
Vehicle model:  
Toyota Coaster  
BZB40R-ZCMSC  
installed with  
16 passenger seats  
Seat model:  
Vogelsize Top 2020  
with integral retractable  
lap belt



Protective Padding to be fitted on the driver's guard rail  
with tubular foam of 30mm internal diameter and 50mm in thickness  
Wrapped by fire retarded vinyl cover



Protective Padding on hand rail  
made of a material of hardness less than 50 shore A

All passenger seats  
fitted with lap belt

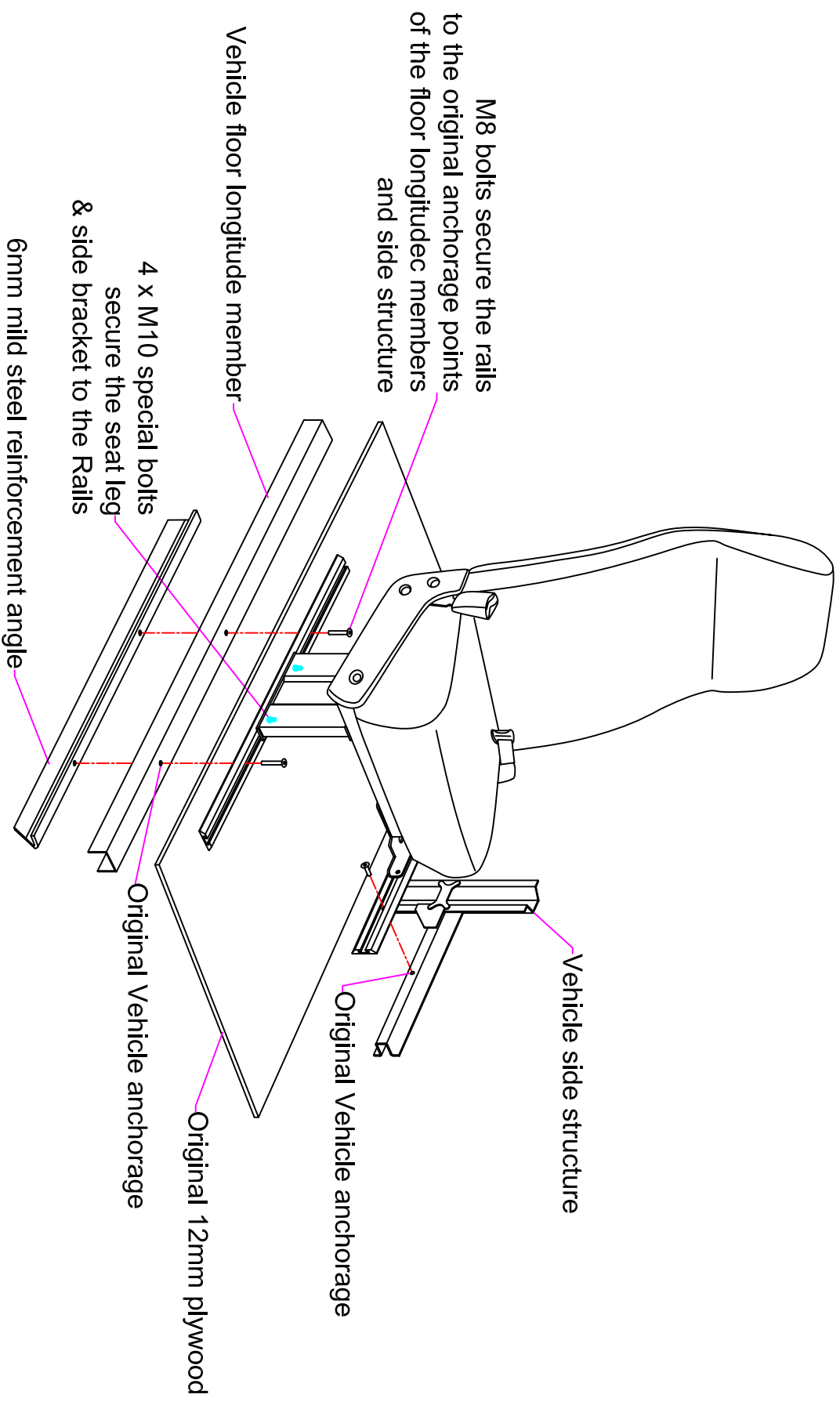


SCSYS

Seat plan for Vogelsize Top 2020 Seat on BZB40R

Approved		Date	2006.05.28
Checked		Dwg No	LB-40-T2
Drawn			

# Floor / Side Reinforcement for Vogelsize Top 2020

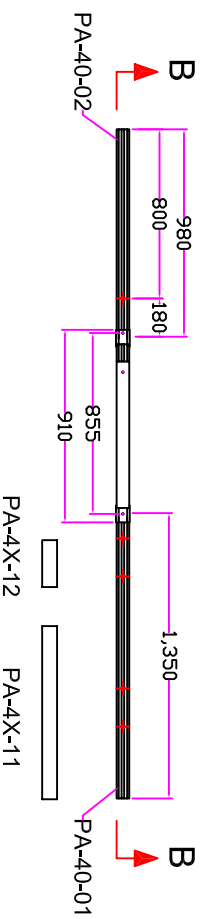
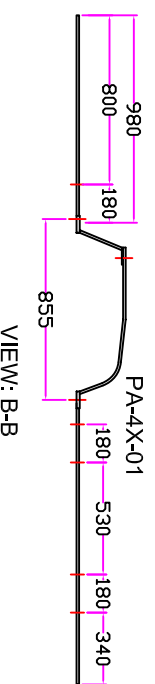
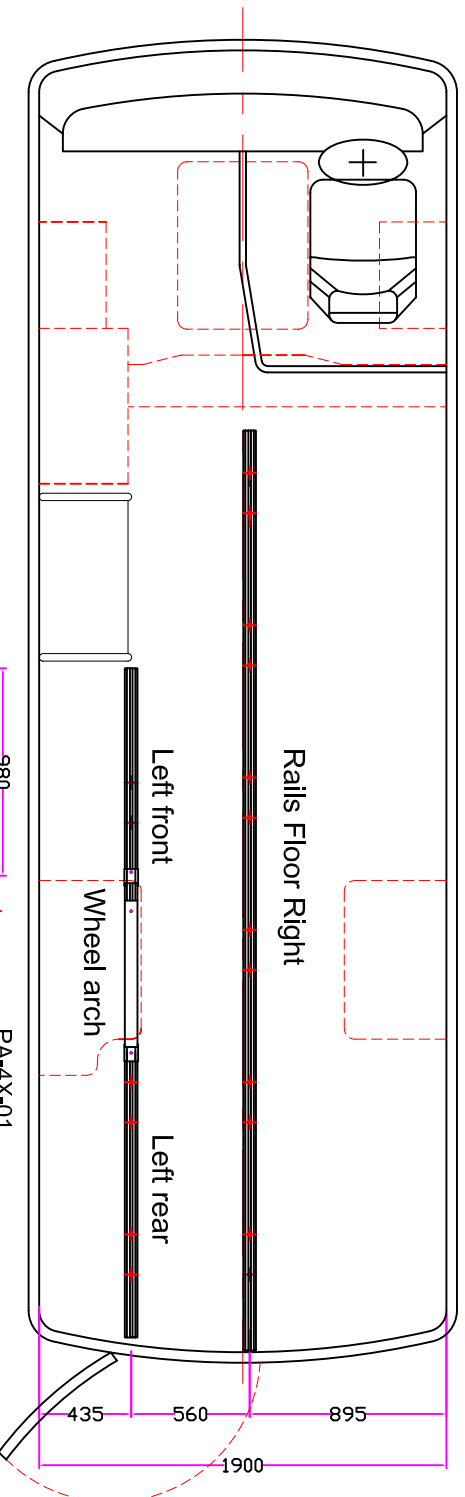
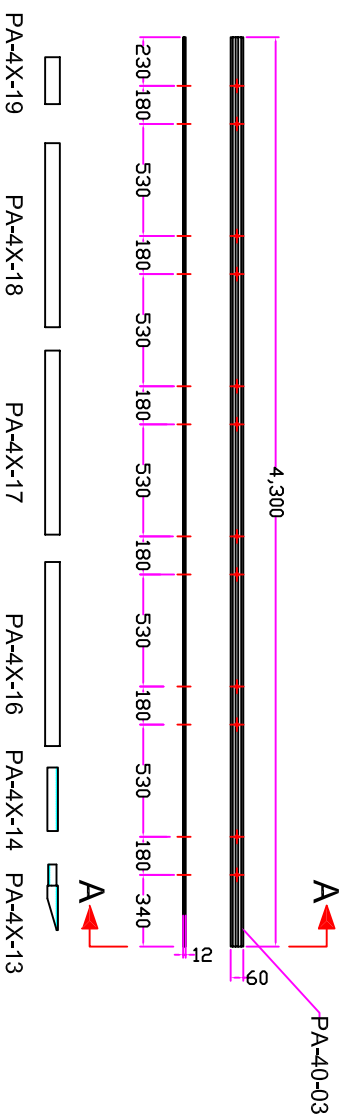
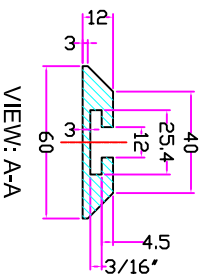


SCSYS

Scale

Date	2006.05.25
Dwng No	LB-4X-T2

# Toyota Coaster short wheel base PLB BZB40R-ZCMSC Reinforced Rails on Floor

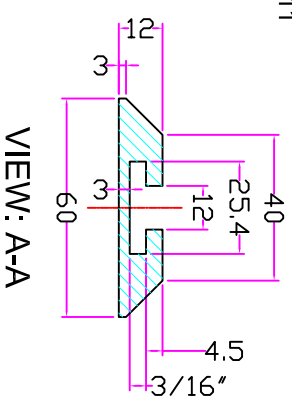
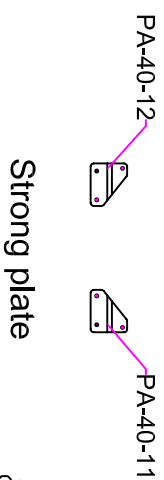
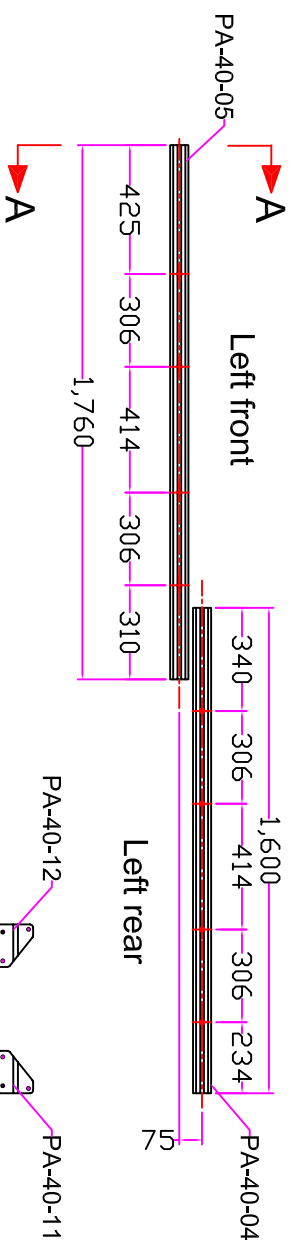
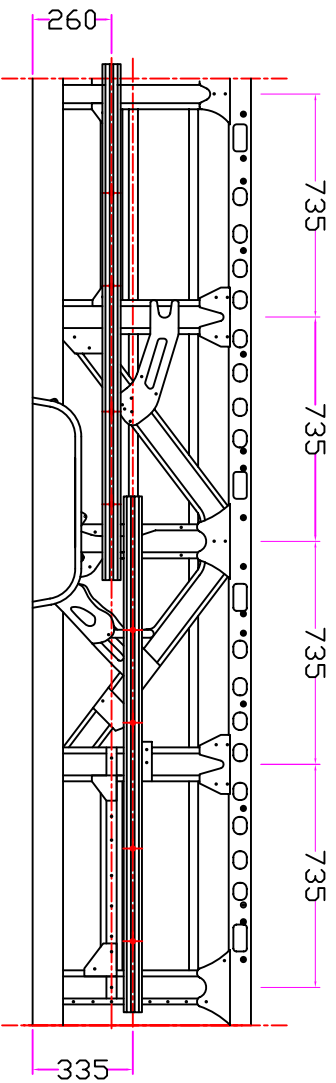


SCSYS

Scale

Date	2006.05.28
Dwg No	LB-40-21

# Toyota Coaster short wheel base PLB BZB40R-ZCMSC Left Side structure reinforced

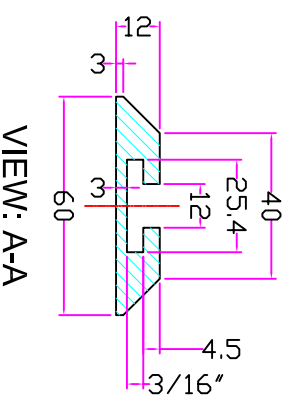
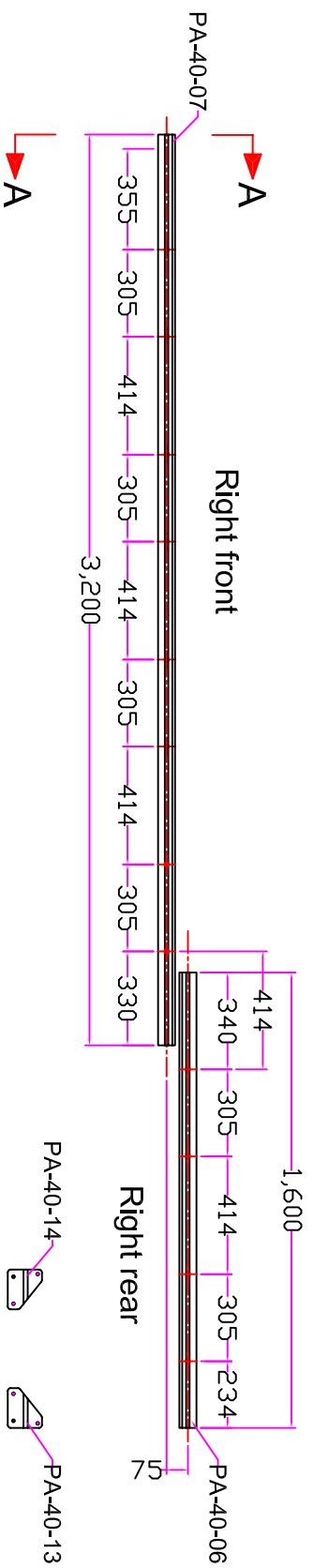
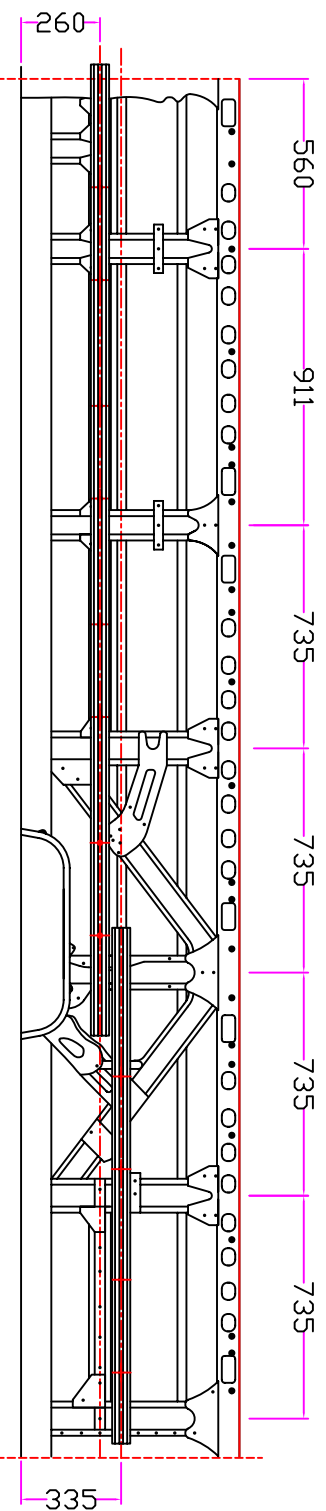


SCSYS

Scale

Date	2006.05.28
Dwg No	LB-40-22

# Toyota Coaster short wheel base PLB BZB40R-ZCMSC Right side structure reinforced

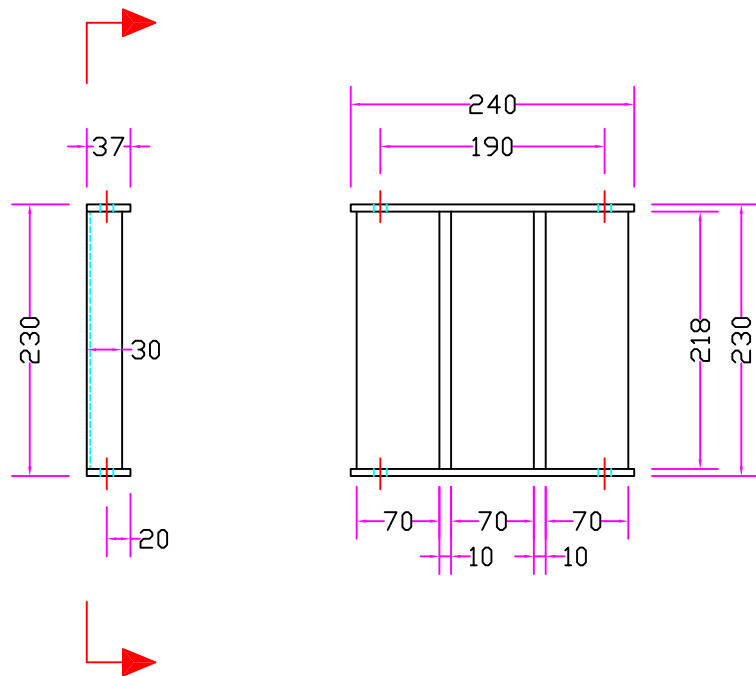


SCSYS

Scale

Date	2006.05.28
Dwg No	LB-40-23

# Vogel seat leg standard

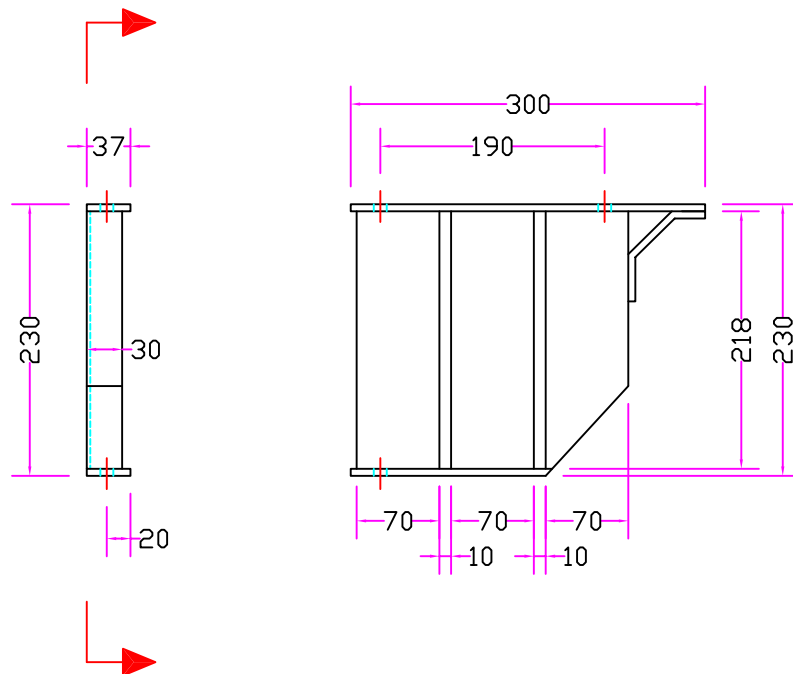


scsys

Date 2006.05.25

Dwg No LB-4X-T2-11

# Vogel seat leg Row 4 left



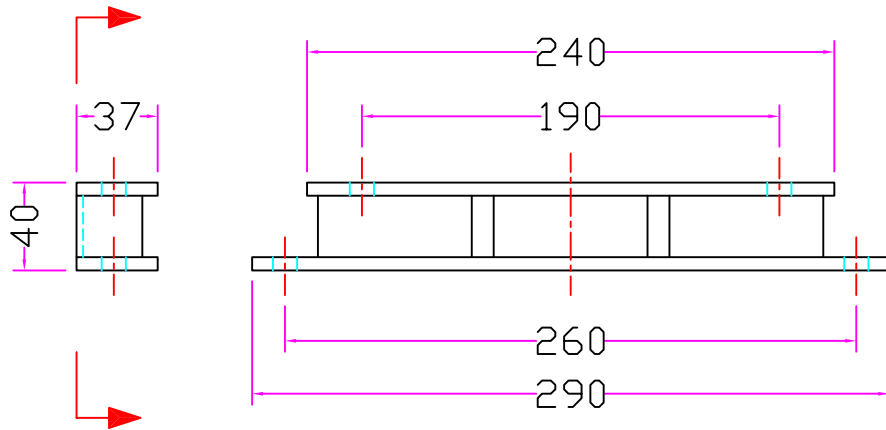
scsys

Date 2006.05.25

Dwg No LB-4X-T2-12



# Vogel seat leg Row 5 left

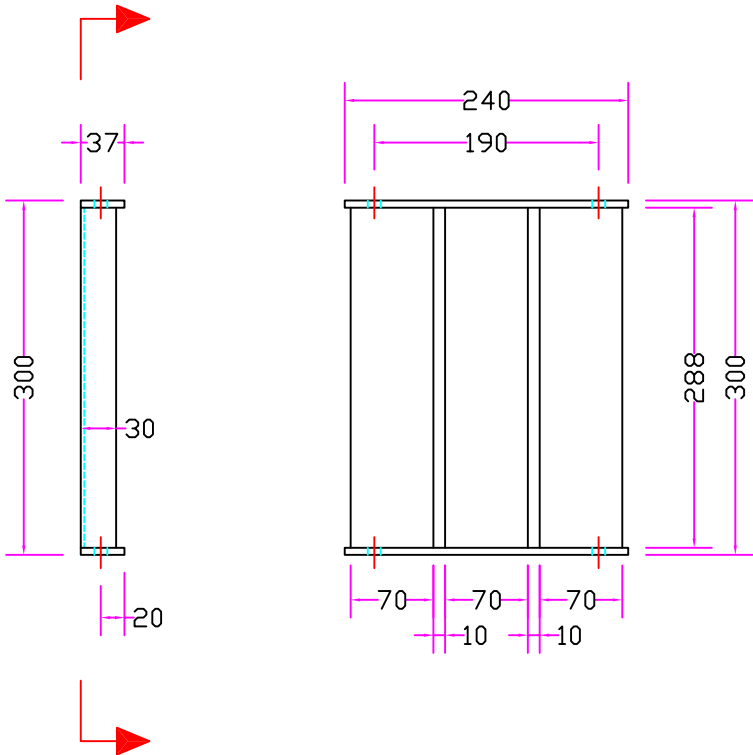


scsys

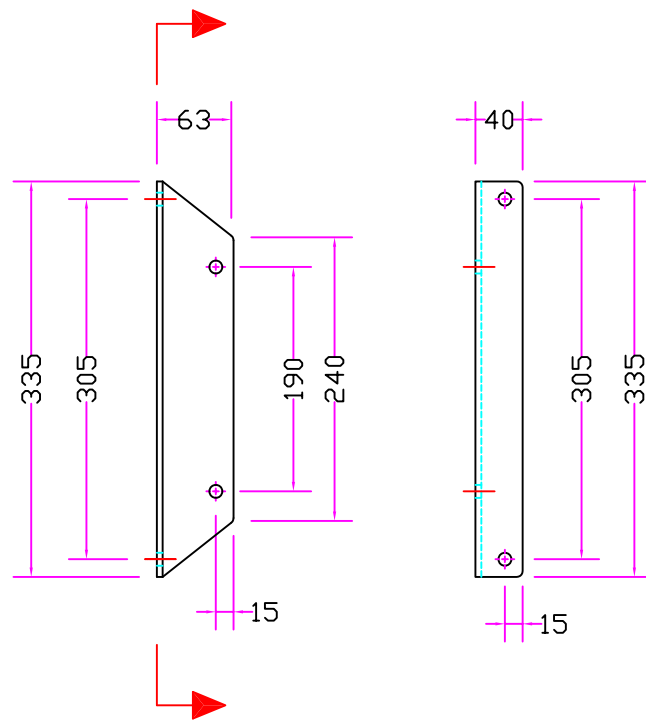
Date 2006.05.30

Dwg No LB-4X-T2-13

# Vogel seat leg Row 6 & 7 left



# Vogel seat side weel Bracket



scsys

Date 2006.05.25

Dwg No LB-4X-T2-15

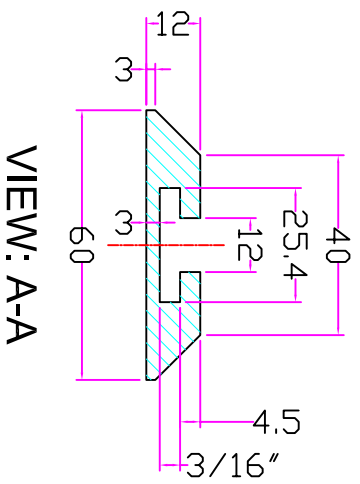
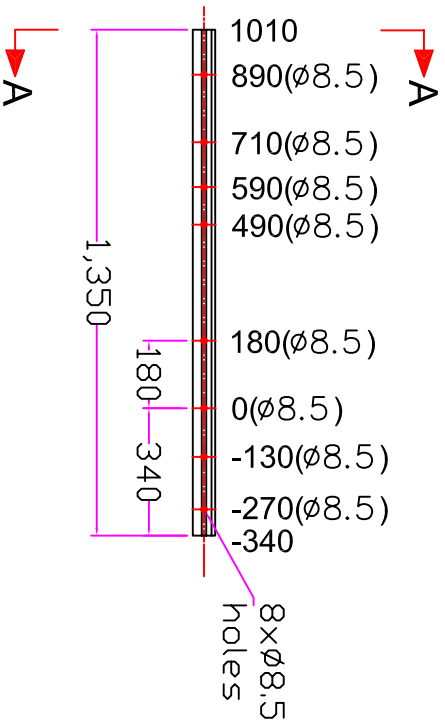
## Part List for reinforcement

Table LT- 40-part list

Parts required for High Back Seat Installations  
( Seat and Seat leg are not included )

items	Part Descriptions	Qty per Vehicle	Drawing No
1	Railing, floor,left,rear	1	PA-40-01
2	Railing, floor,left,front	1	PA-40-02
3	Railing, floor,right	1	PA-40-03
4	Railing, side, left, rear	1	PA-40-04
5	Railing, side, left, front	1	PA-40-05
6	Railing, side, right, rear	1	PA-40-06
7	Railing, side, right, front	1	PA-40-07
8	Strong plate left front, Side rail	1	PA-40-11
9	Strong plate right front, Side rail	1	PA-40-12
10	Strong plate right rear, Side rail	1	PA-40-13
11	Strong plate left rear, Side rail	1	PA-40-14
12	Wheel Arch, left	1	PA-4x-01
13	Reinforcement angle, under floor, left 1	1	PA-4x-11
14	Reinforcement angle, under floor, left 2	1	PA-4x-12
15	Reinforcement channel, under floor, right 1	1	PA-4x-13
16	Reinforcement channel, under floor, right 2	1	PA-4x-14
17	Reinforcement angle, under floor, fuel tank	1	PA-4x-15
18	Reinforcement angle, under floor, right 3	1	PA-4x-16
19	Reinforcement angle, under floor, right 4	1	PA-4x-17
20	Reinforcement angle, under floor, right 5	1	PA-4x-18
21	Reinforcement angle, under floor, right 6	1	PA-4x-19
22	Bolt & Nut, Seat Anchorage	40	PB-01
23	Bolt, Structure, M8	20	
24	Bolt, Anti slid, M6	20	
25	Cushions, hand rail, driver cab	1	
26	Cushions, hand rail, staircase	1	
27	Floor platform A, row 2	1	
28	Floor platform B, row 6, right	1	
29	Floor platform C, row 6, right	1	
30	Floor platform D, row 7, right	1	
31	Floor platform E, row 6, left	1	
32	Floor platform F, row 7, left	1	

# BZB40R



SCSYS

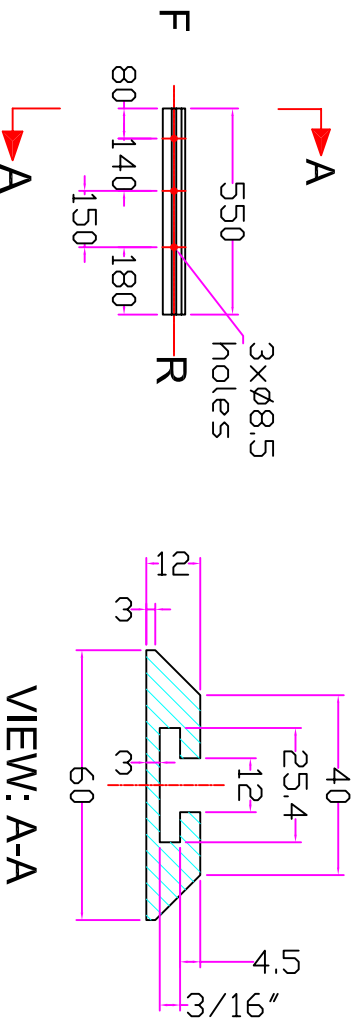
Scale

Rail floor left rear

Date  
 Dwg No

2006.05.28  
 PA-40-01

# BZB40R



SCSYS

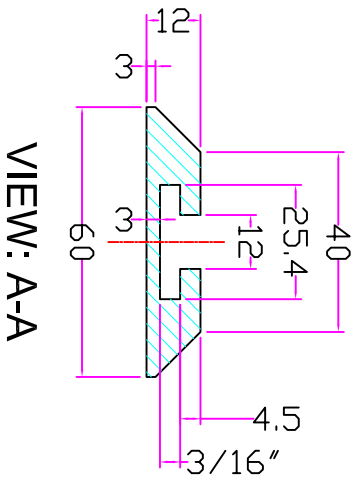
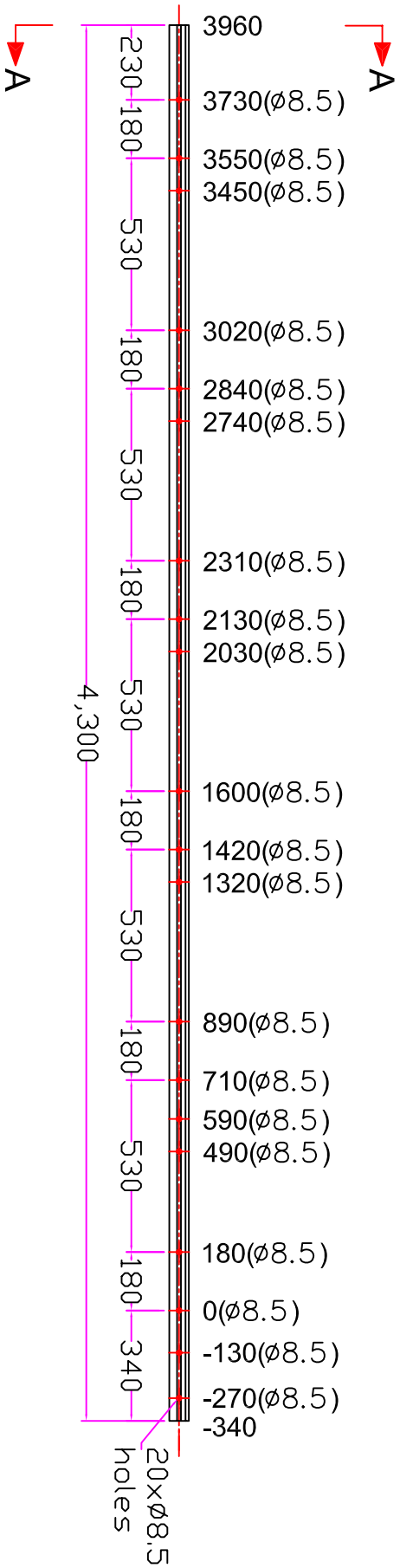
Scale

Rail floor left front

Date  
Dwg No

2006.05.28  
PA-40-02

# BZB40R



VIEW: A-A



SCSYS

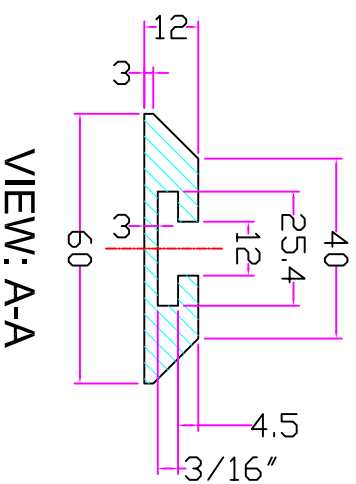
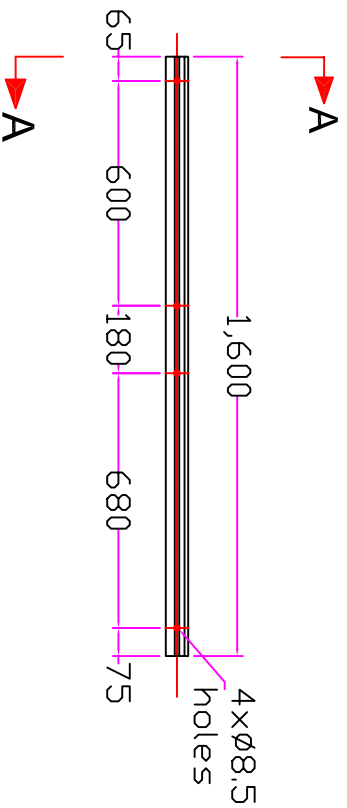
Scale

Rail floor right

Date  
Dwg No

2006.05.28  
PA-40-03

# BZB40R



VIEW: A-A



SCSYS

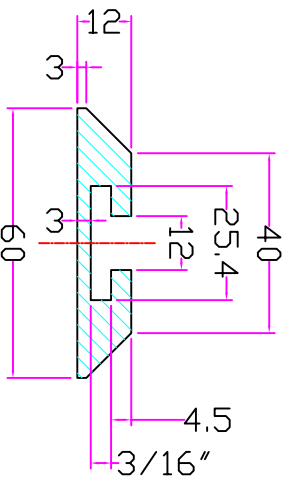
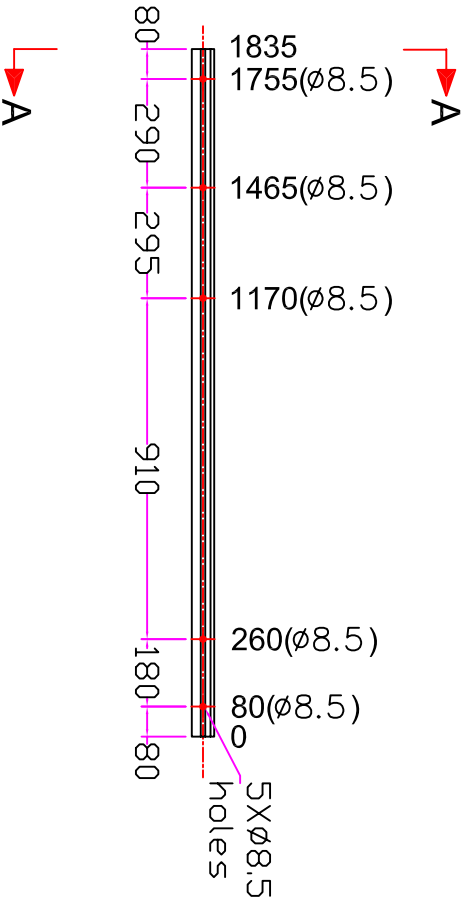
Scale

Rail side left rear

Date 2006.05.28  
Dwg No PA-40-04



# BZB40R



SCSYS

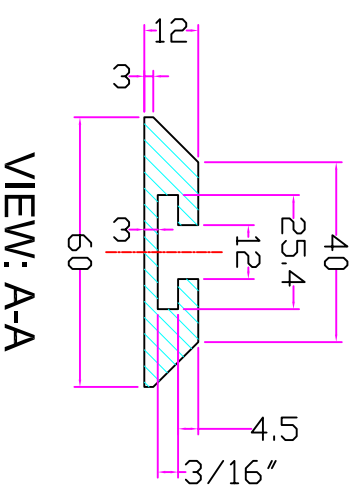
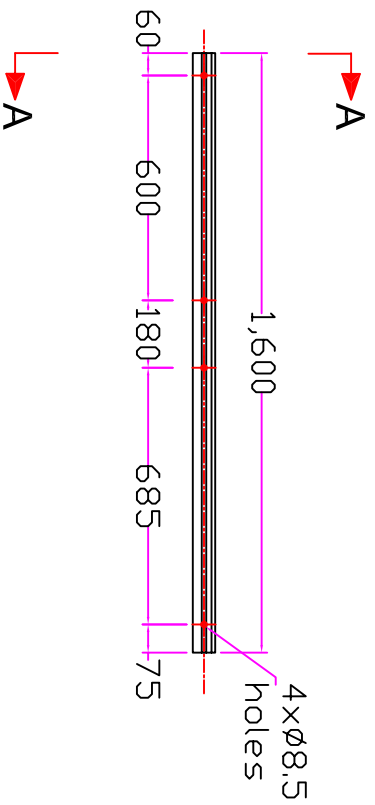
Scale

Rail side left front

Date  
Dwg No

2006.05.28  
PA-40-05

# BZB40R



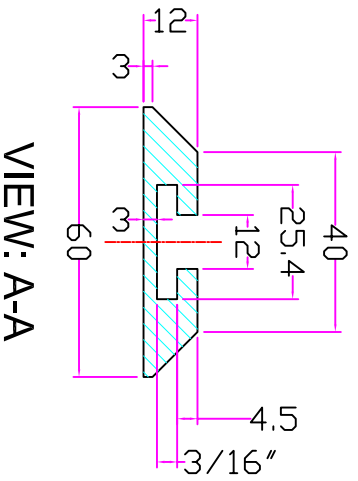
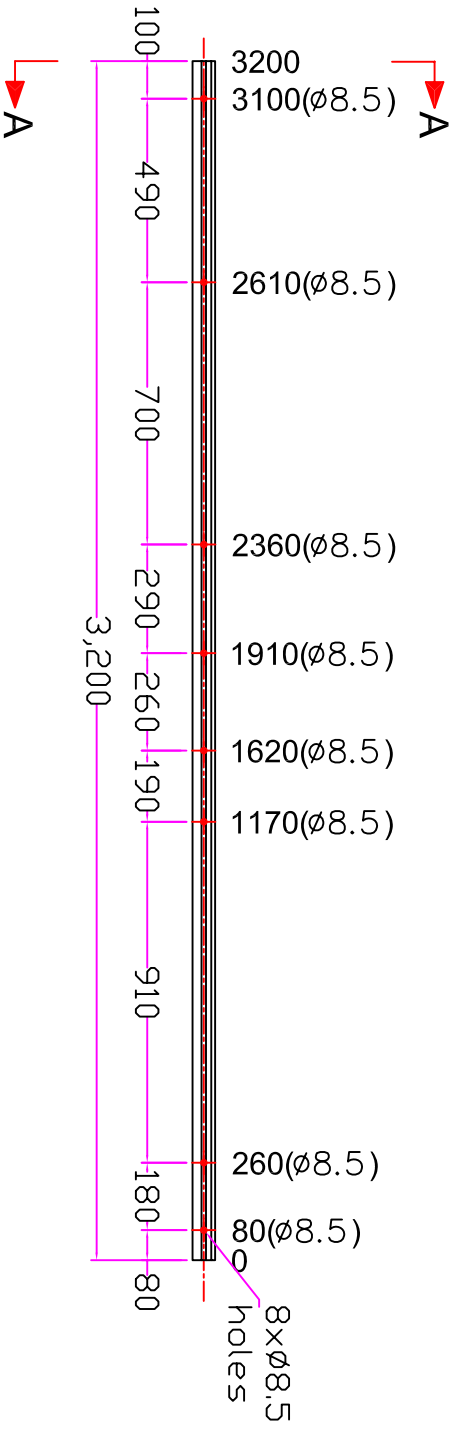
SCSYS

Scale

Rail side right rear

Date 2006.05.28  
Dwg No PA-40-06

# BZB40R



VIEW: A-A



SCSYS

Scale

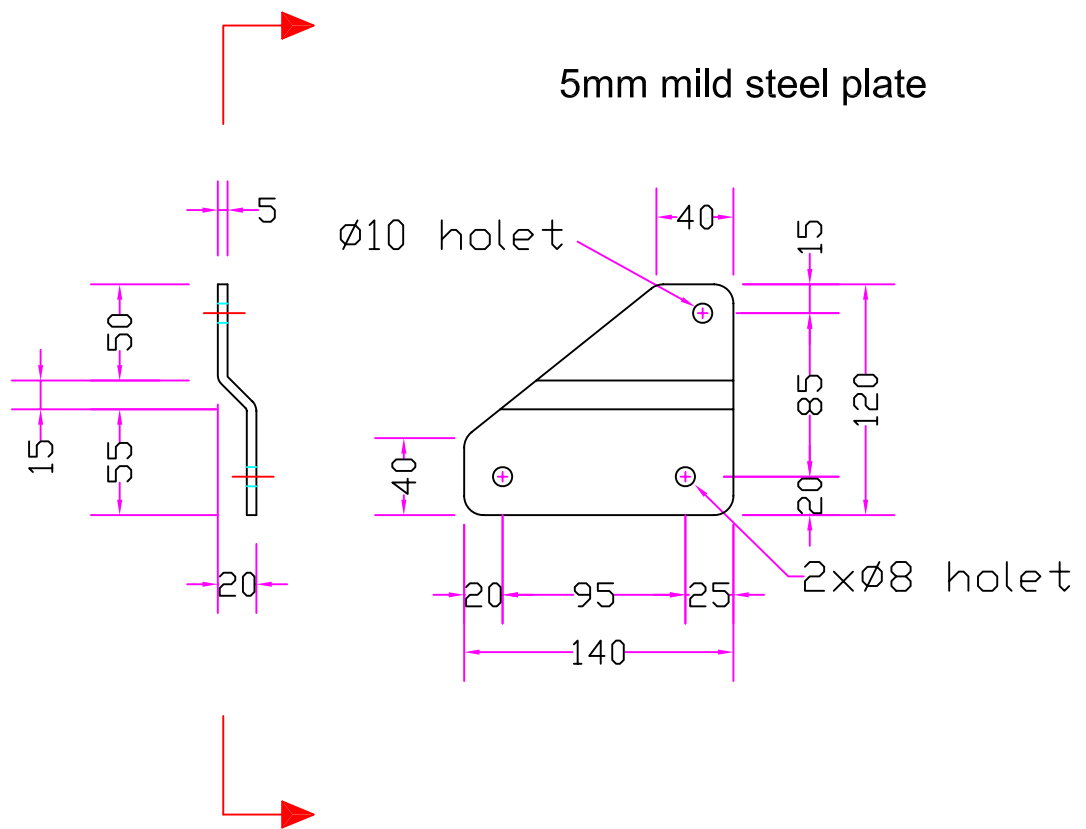
Rail side right fronr

Date  
Dwng No

2006.05.28  
PA-40-07

BZB40R

Strong plate right front side rail



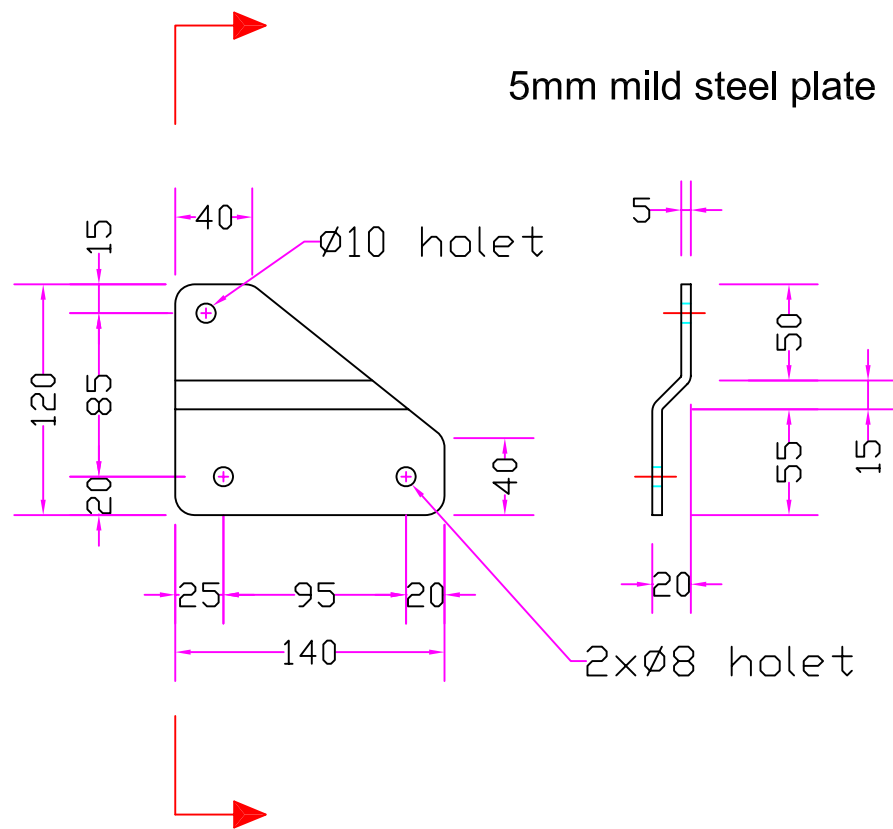
scsys

Date 2006.05.30

Dwg No PA-40-11

BZB40R

Strong Plate Left front side rail



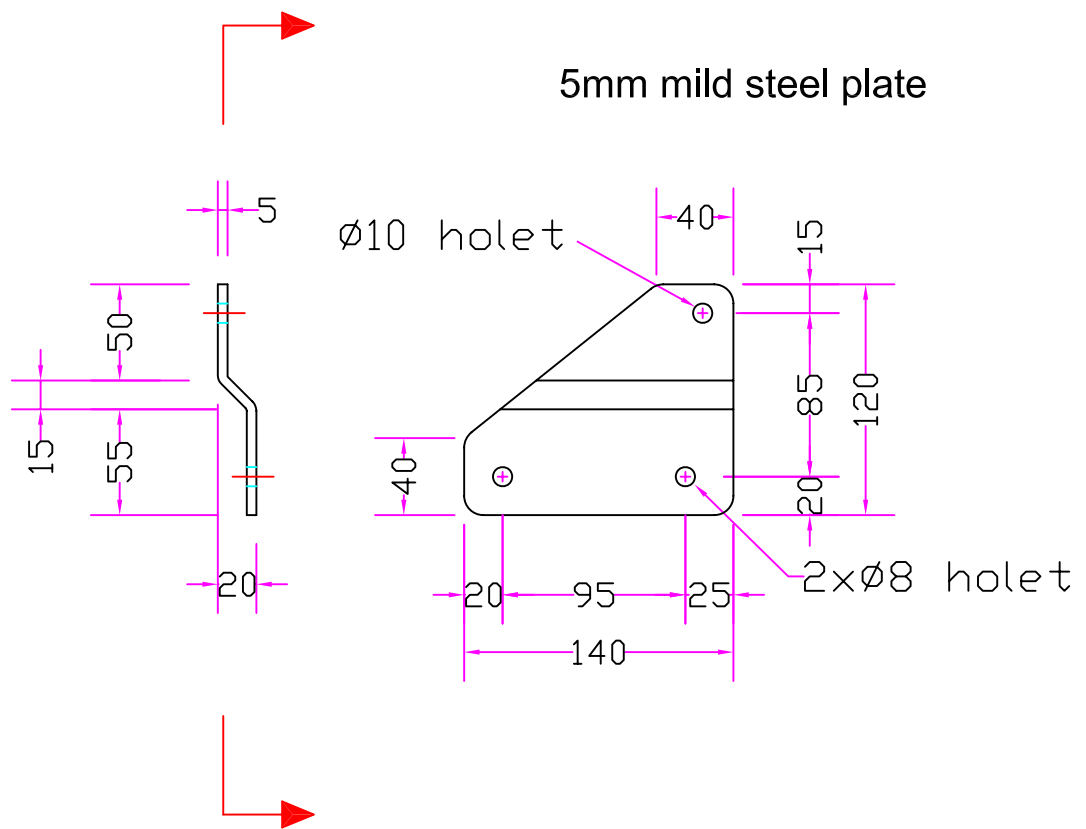
scsys

Date 2006.05.30

Dwg No PA-40-12

BZB40R

Strong plate right front side rail



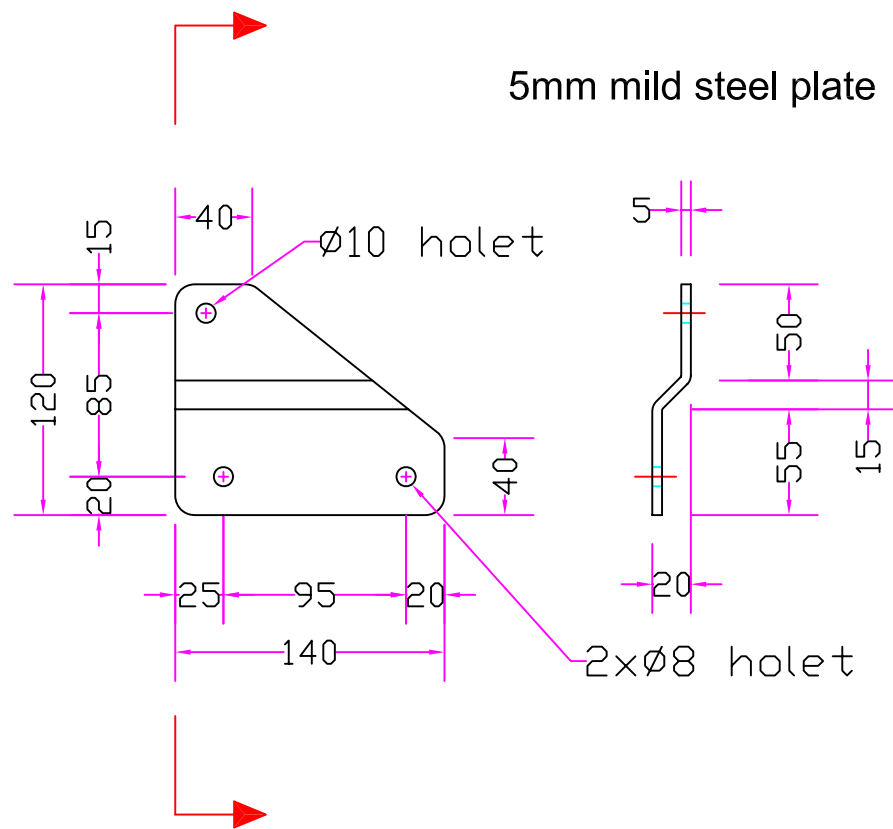
scsys

Date 2006.05.30

Dwg No PA-40-13

BZB40R

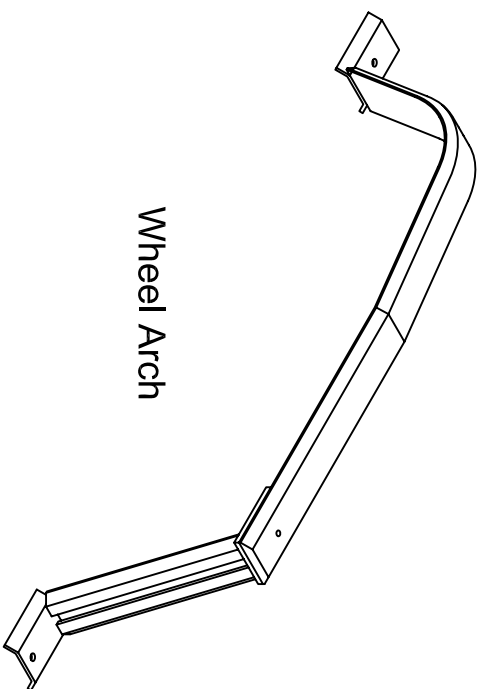
Strong Plate Left front side rail



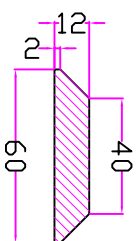
scsys

Date 2006.05.30

Dwg No PA-40-14



Wheel Arch

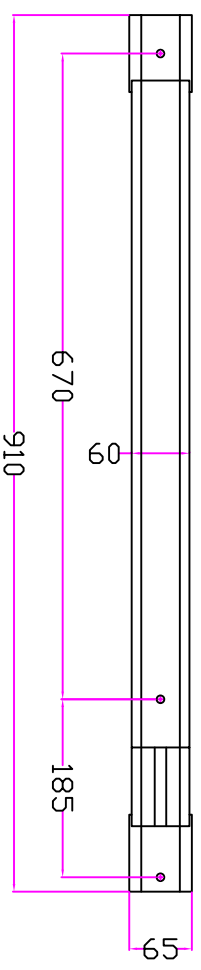
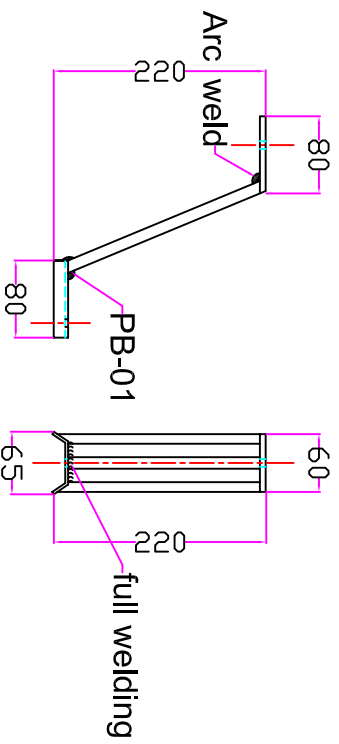
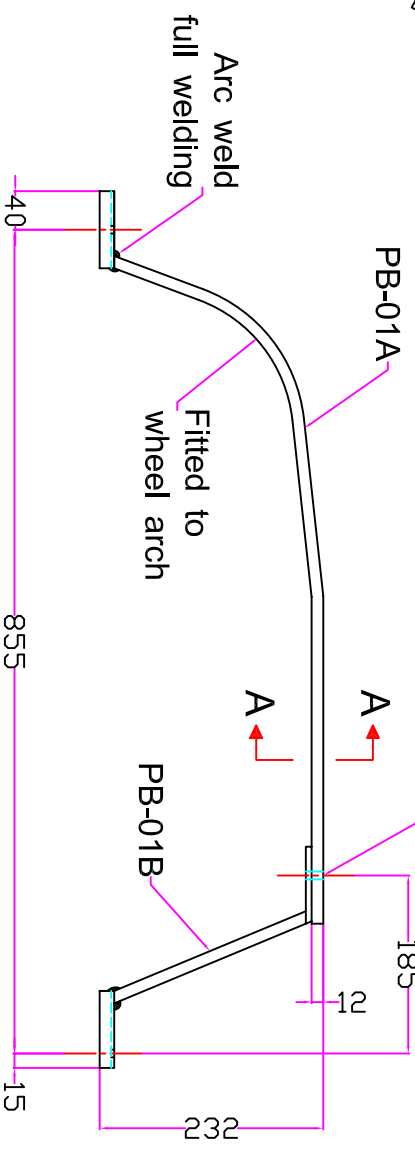


View A-A

Material: mild steel

Electrode: AWS E6013

M8x20mm Bolt & Nut  
Joining PB-01A  
& PB-01B together



SCSYS

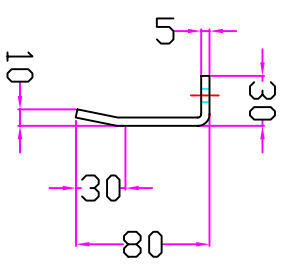
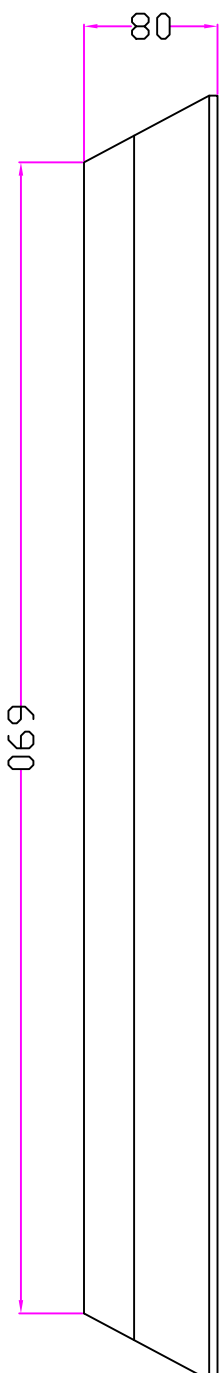
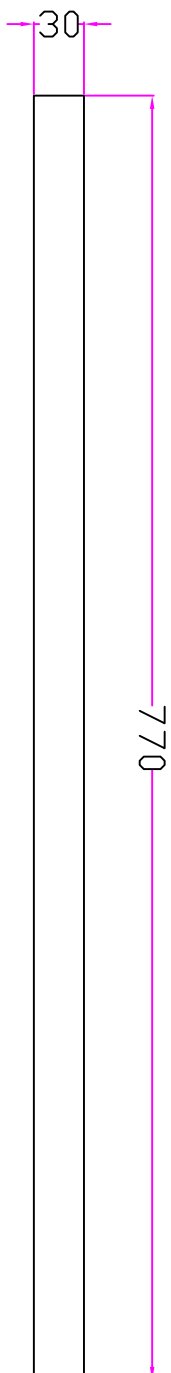
Scale

Wheel Arch left

Date	2006.05.18
Dwg No	PA-4X-01



# Reinforcement Angle, under floor left 1



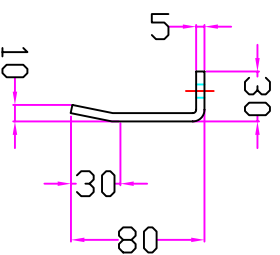
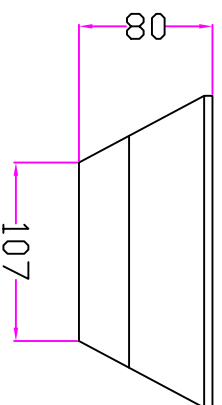
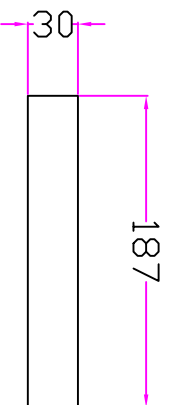
SCSYS

Scale

Date  
Dwg No

2006.06.09  
PA-4X-11

# Reinforcement Angle, under floor left 2

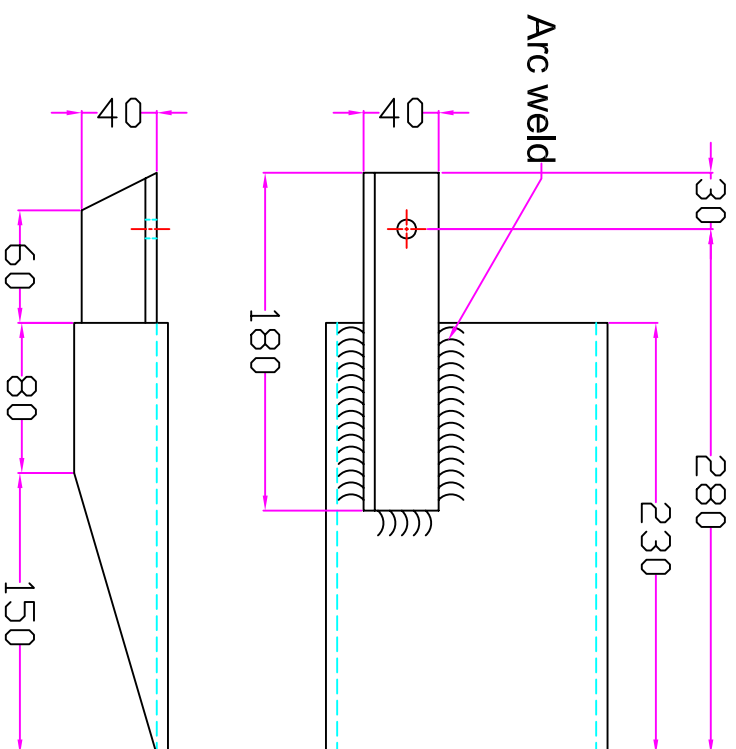


SCSYS

Scale

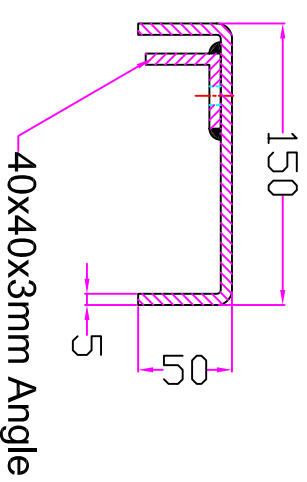
Date	
Dwg No	2006.06.09
	PA-4X-12

# Reinforcement Bracket, under floor Right 1



Material: mild steel

Electrode: AWS E 6013

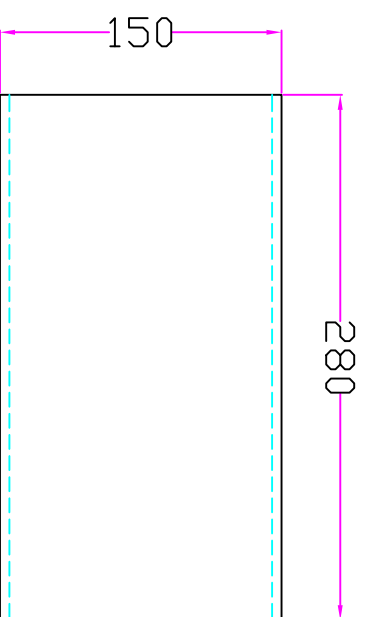


SCSYS

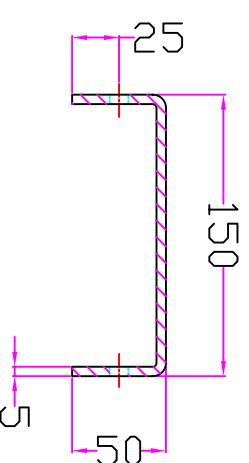
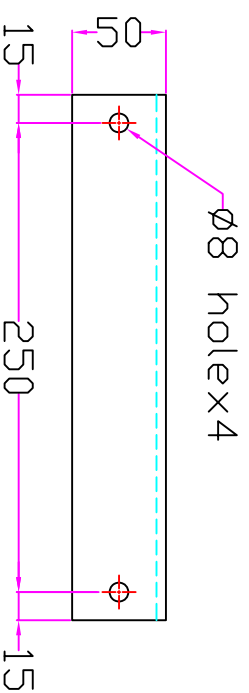
Scale

Date	2006.06.09
Dwg No	PA-4X-13

# Reinforcement Bracket, under floor Right 2



Material: mild steel

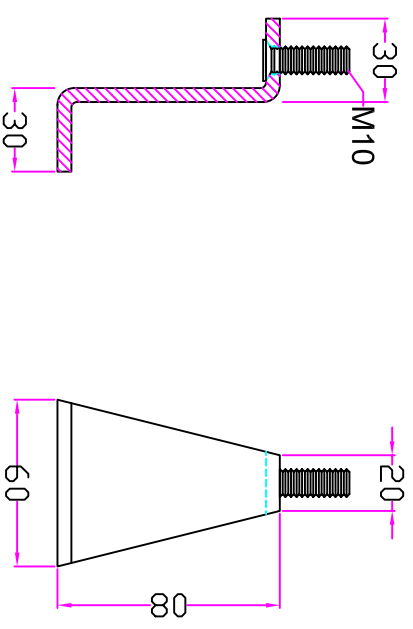


SCSYS

Scale

Date	2006.06.09
Dwg No	PA-4X-14

# Reinforcement Bracket, under floor next to full tank



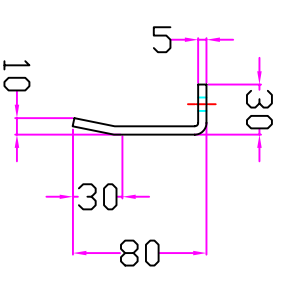
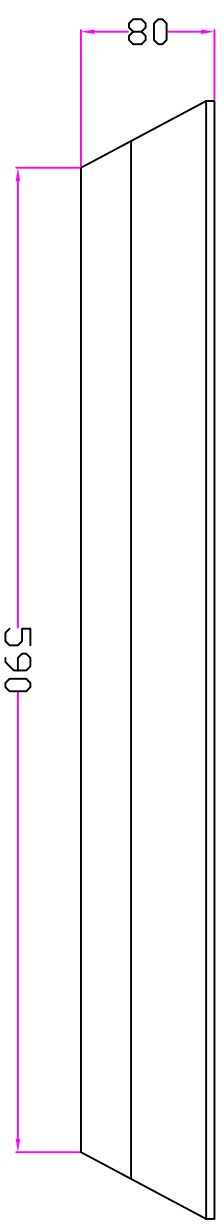
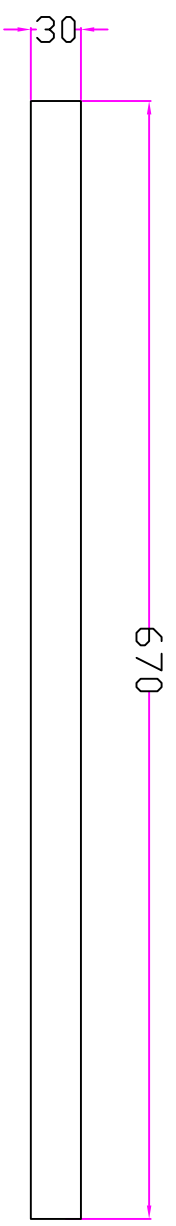
SCSYS

Scale

Date  
Dwg No

2006.06.09  
PA-4X-15

# Reinforcement Angle, under floor right 3

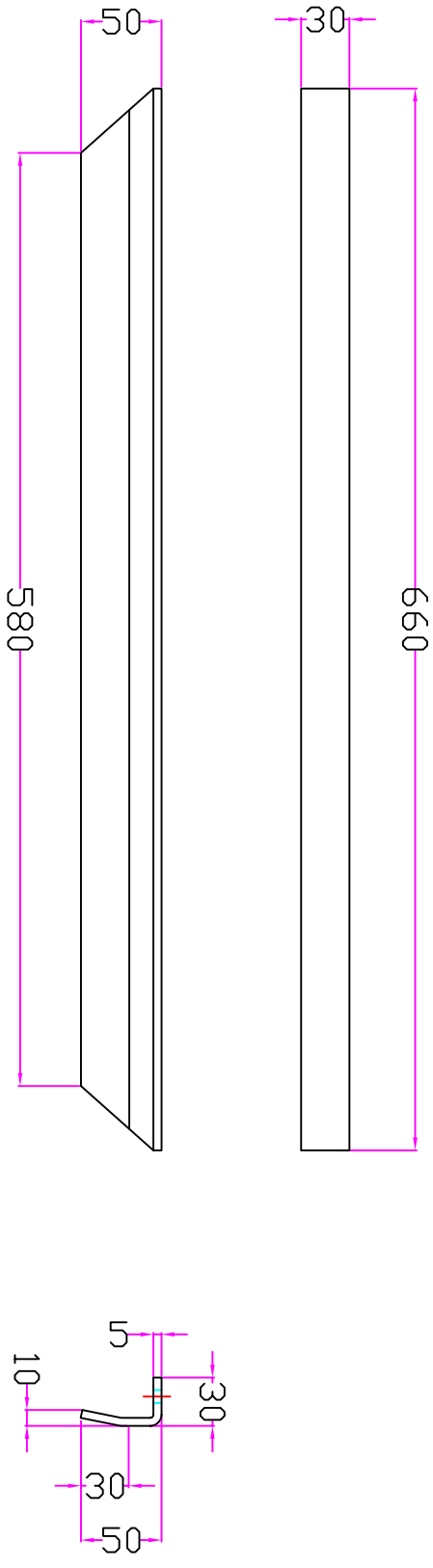


SCSYS

Scale

Date	2006.06.09
Dwg No	PA-4X-16

# Reinforcement Angle, under floor right 4

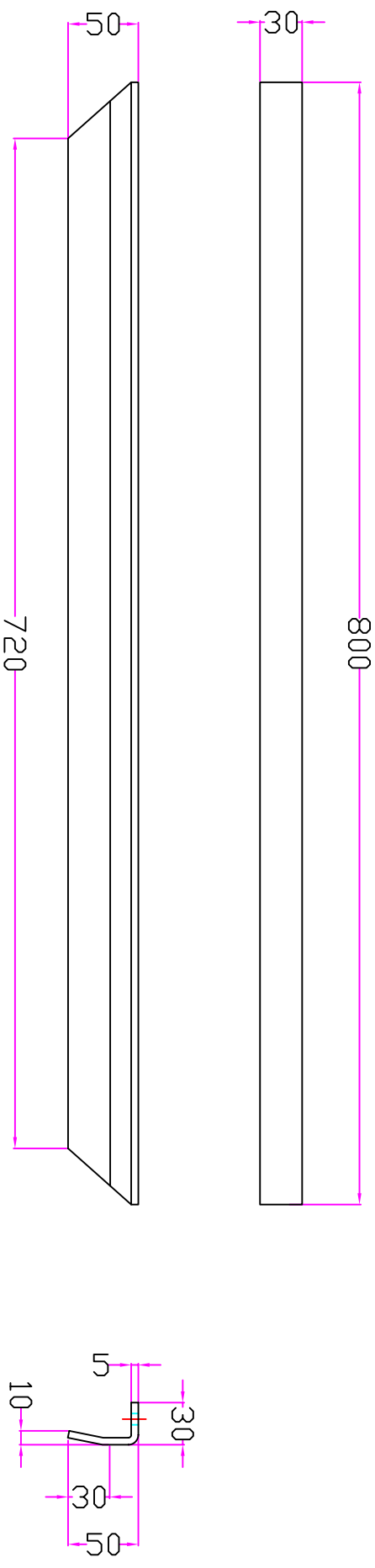


SCSYS

Scale

Date	2006.06.09
Dwg No	PA-4X-17

# Reinforcement Angle, under floor right 5



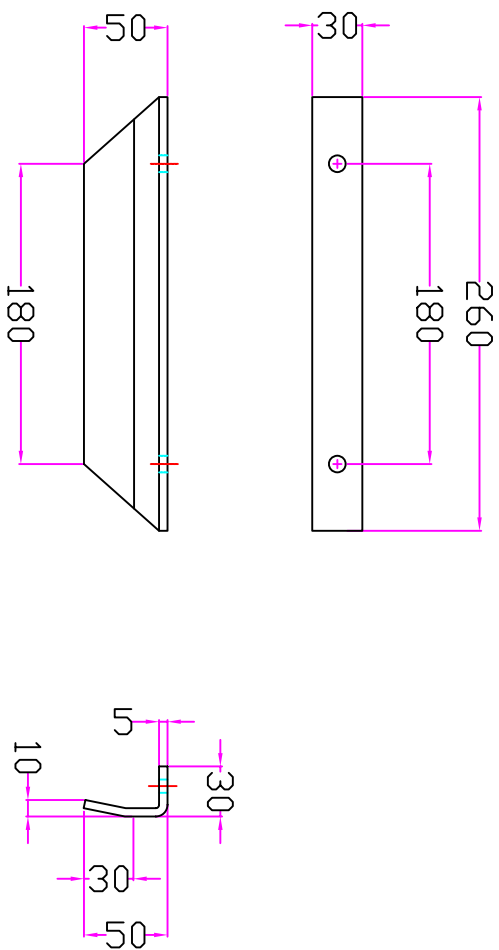
SCSYS

Scale

Date	2006.06.09
Dwg No	PA-4X-18



# Reinforcement Angle, under floor right 6



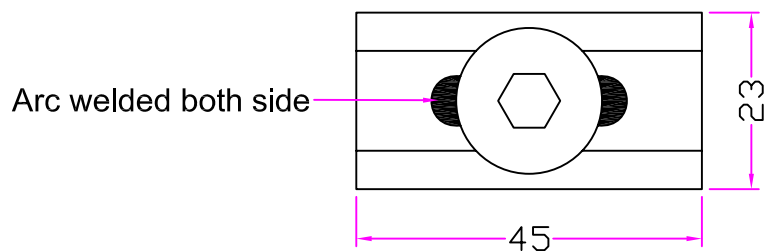
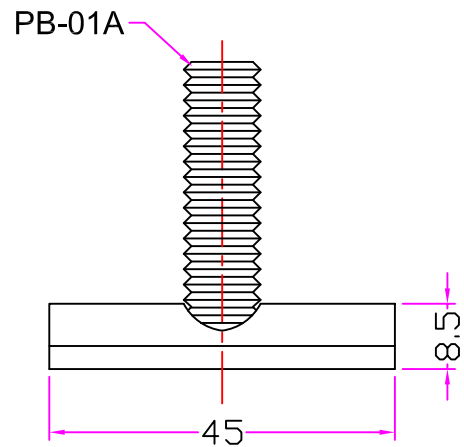
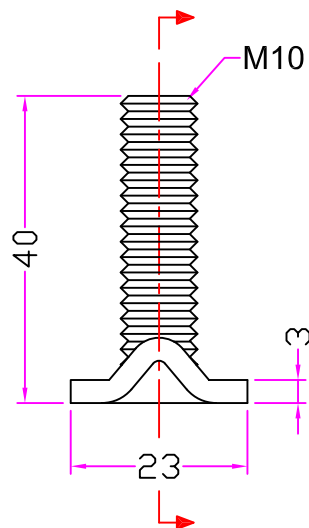
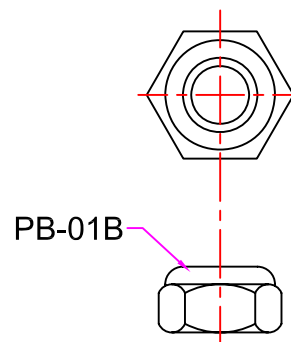
SCSYS

Scale

Date	
Dwg No	2006.06.09
	PA-4X-19

# Bolt & Nut Railing Seat Anchorage

Part No	Part Name & descriptions
PB-01A	Hexagonal socket Head with Rectangular steel guide size:M10 x 40mm standard:DIN 7991 Head marking:10.9 Low-Carbon martensite Q & T Maximum torque 65-70 kg-m
PB-01B	M10 Elastic insert lock Nut



scsys

Bolt & Nut Railing

Date

2006.05.30

Dwg No

PB-01